



Senju Sprinkler

UNIVERSAL FLUSH ACCESS PANEL MODEL: SS-0241

The SS-0241 universal flush access panels are suited for installations in drywall, masonry, tile or other wall and ceiling surfaces.

SPECIFICATIONS

Door: 18 gauge (1.5mm) galvanized steel and flush to the frame

Frame: 18 gauge (1.5mm) galvanized steel welded frame with a one-piece construction 1" wide flange

Hinge: Concealed Pin Hinge

Latch: Flush and screwdriver operated with steel cam latch

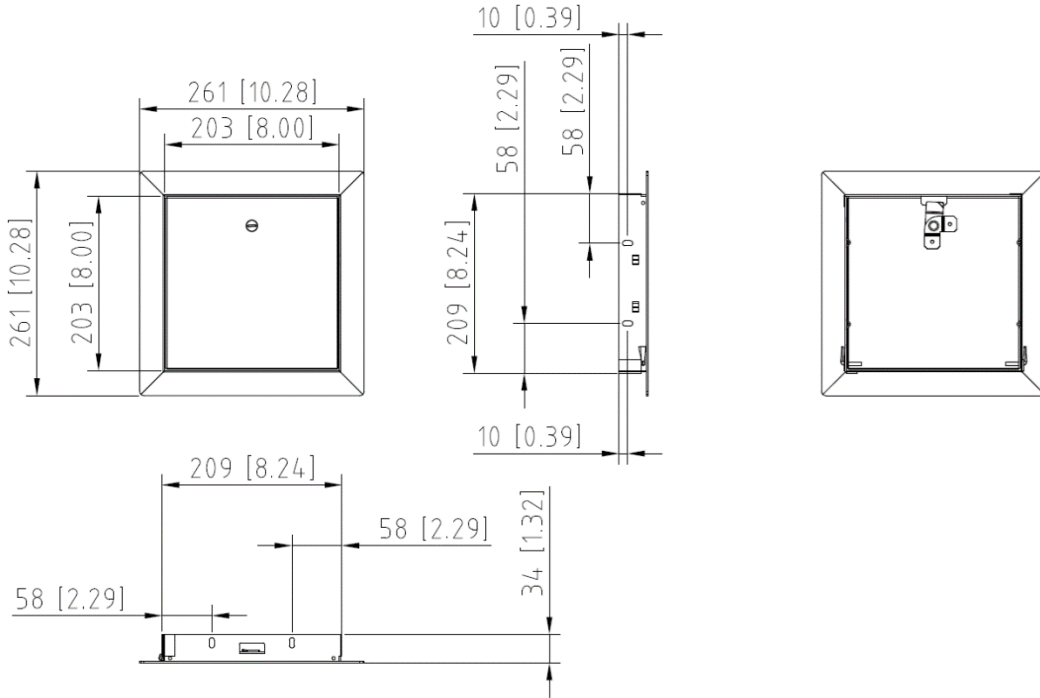
Finish: White (RAL9016) powder coating

STANDARD SIZES

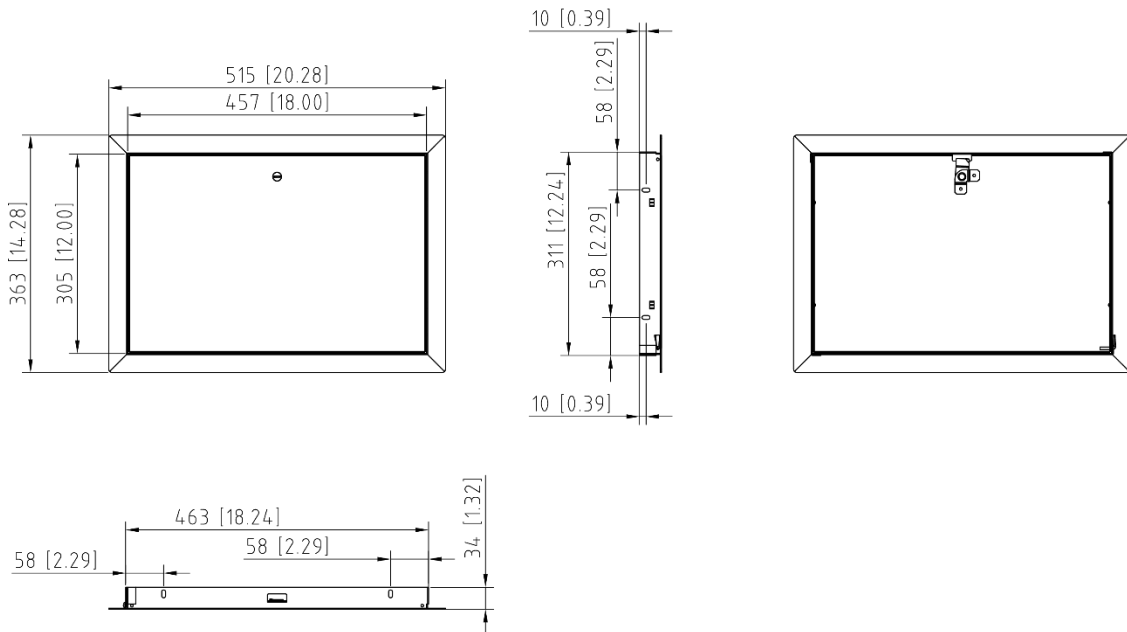
Panel Size W x H (Inches)	Part Number	Wall/Ceiling Opening (Inches)	# of Latches	Weight (Lbs.)
8 X 8	90000-140-0101	8-¼ X 8-¼	1	2.6
12 X 18	90000-140-0411	12-¼ X 18-¼	1	6.6
14 X 14	90000-140-0301	14-¼ X 14-¼	1	6.0
14 X 24	90000-140-0201	14-¼ X 24-¼	3	9.0
14 X 30	90000-140-0211	14-¼ X 30-¼	3	11.6

ACCESS PANEL DETAILED SIZES

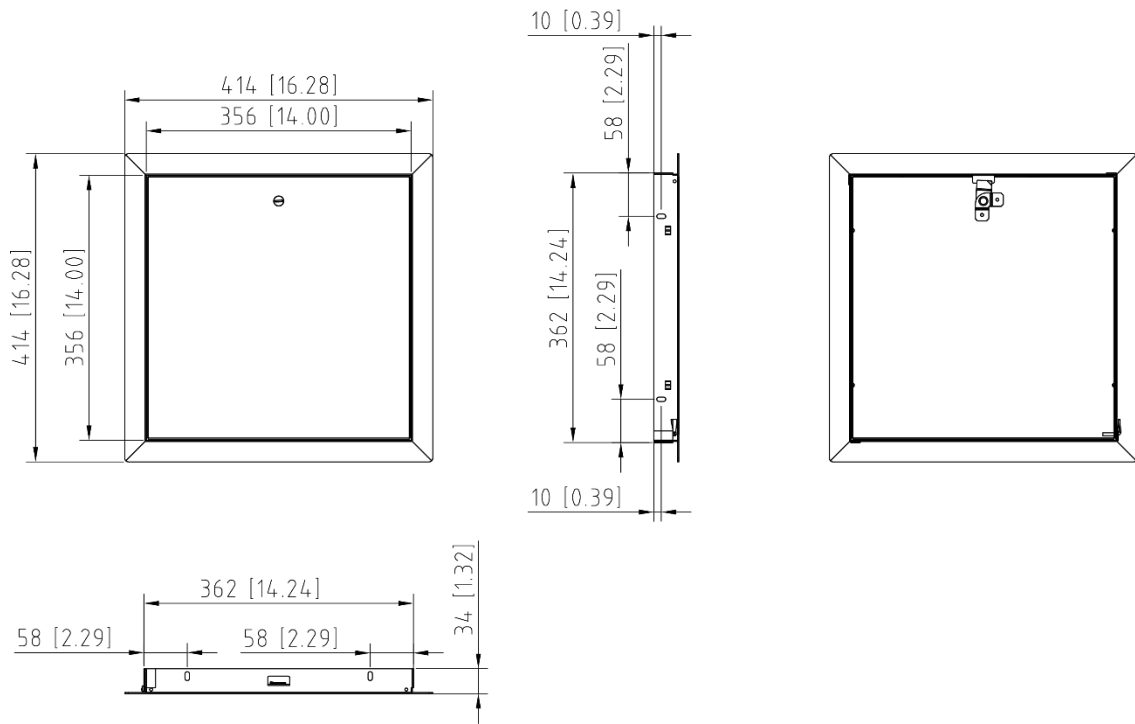
8 x 8 Access Panel



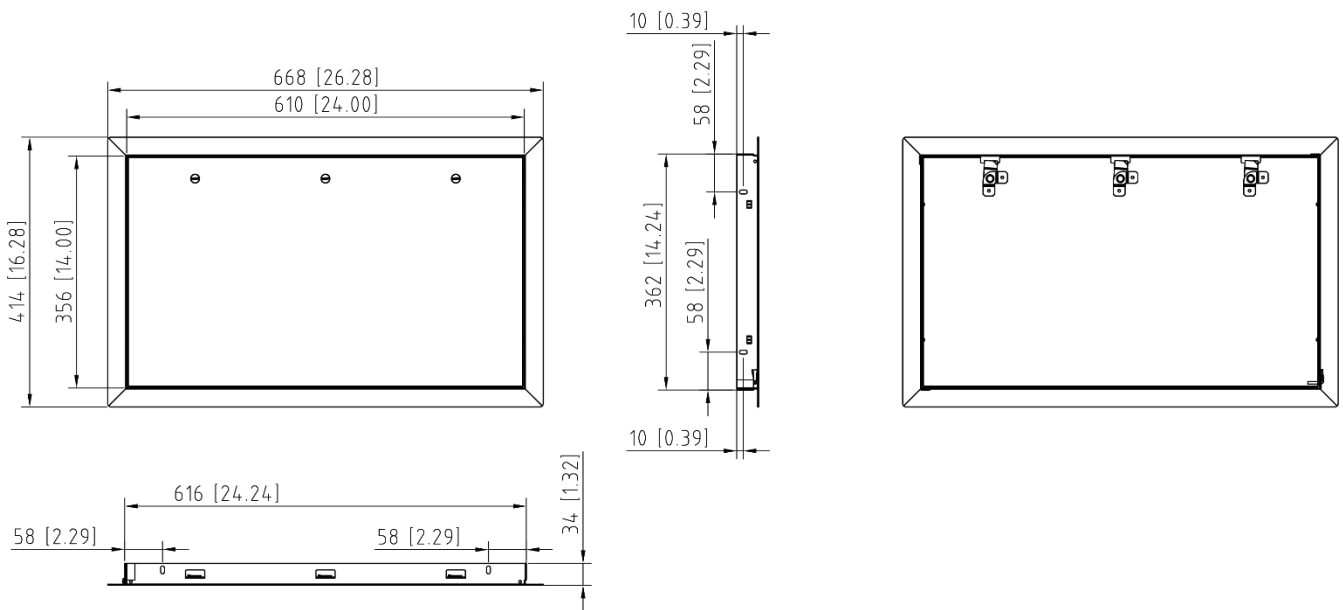
12 x 18 Access Panel



14 x 14 Access Panel



14 x 24 Access Panel



14 x 30 Access Panel

